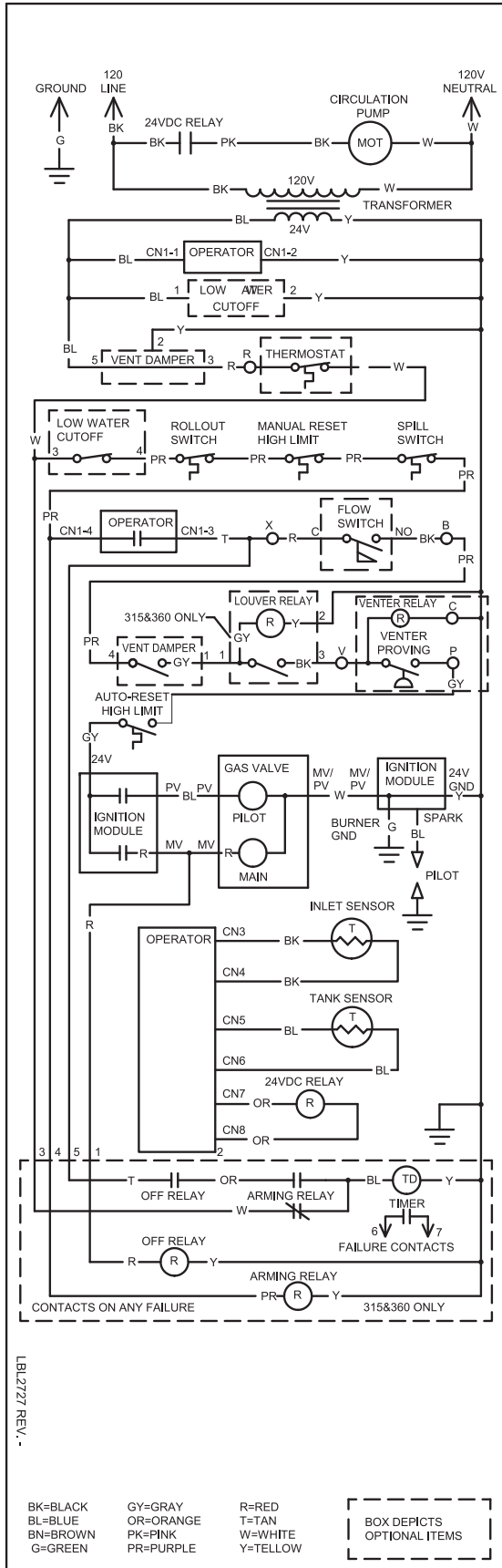
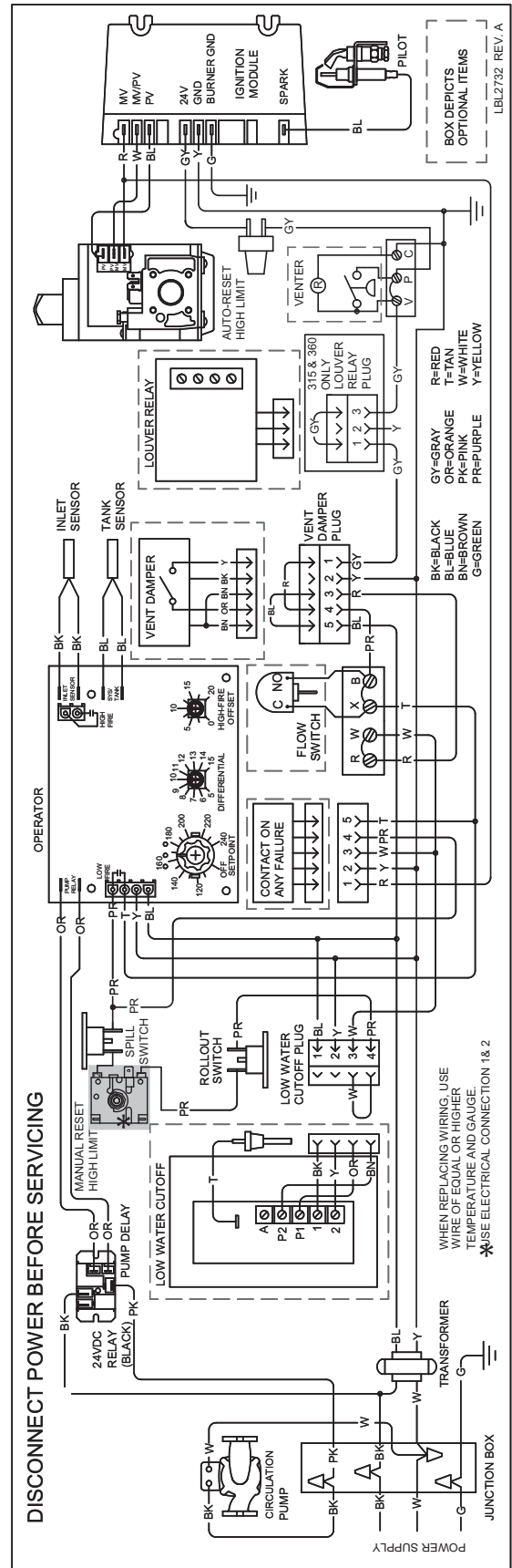


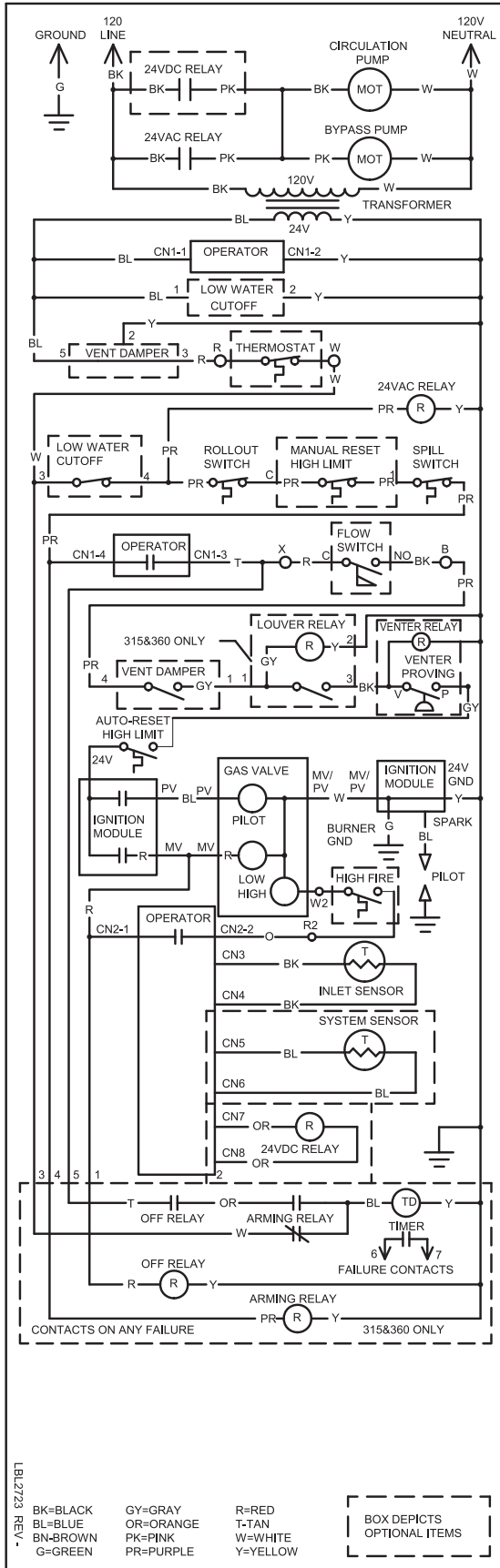
Schematic Diagram – F9 Unit 90,000 - 399,999 Btu/hr Models



Wiring Diagram – F9 Unit 90,000 - 399,999 Btu/hr Models



Schematic Diagram – M9 Unit 45,000 - 399,999 Btu/hr Models



Wiring Diagram – M9 Unit 45,000 - 399,999 Btu/hr Models

